

Highlights

- »» Compliant with Qseven specification V1.1
- »» Onboard Atom™ Z5x0P(T)
- »» Intel US15WP(T) All-in-One Chipset
- »» On Board DDR-II 512MB SDRAM 400 or 533MHz
- »» Support 8x USB2.0 / 1 CH 24-bit LVDS panel
- »» Support 2x PCIe by 1
- »» Support Marvell Gigabit Ethernet



Introduction

Qseven Menlow-XL module features with Intel Atom™ CPU and 512MB memory on board. This module use Intel US15WP(T) all-in one chipse with integrated Intel Graphics Media Accelerator 500 and support multi-functions for different applications. It has very small form factor which is just 70mm x 70mm(L x W). Customer can easily implement many applications by developing their carrier board. It can be easily integrated into size constricted systems.

Specifications

CPU

- >Onboard Intel Atom™ Z5x0P(T) CPU With 1.1Ghz / 1.33Ghz / 1.6Ghz option
- >512KB on-side L2 cache
- > 400-MHz or 533-MHz FSB operation
- >CMOS FSB I/O signaling for reduced power
- >Hyper-Threading Technology support (Z530P only)

Main Memory

- >Onboard 512MB DDR-II 400 or 533Mhz SDRAM

Chipset

- >Intel US15WP(T) all-in-one chipset
- >400 & 533 MT/s FSB
- >Support PCIe by 1 x2
- >Supports full hardware acceleration of Video decode standards , such as MPEG-2, MPEG-4, WMV9, VC1, H.264

Ethernet

- >Support Marvell 88E8057 Gigabit Ethernet
- >Compatible with 10/100/1000 IEEE 802.3
- >Support boot from LAN (PXE or RPL LAN server)

I/O Interface

- >SATA: 2 x SATA,data transfer rates up to 3Gb/s (300MB/s)
- >USB : 8 x USB 2.0 compliant ports
- >Audio: High definition(HD) audio interface

Display

- >SDVO: LCD panel up to 160 MHz pixel clock supported.
- >LVDS : support 18 or 24-bit 1 Ch LVDS up to 112MHz clock .
- >Multiple display: SDVO+ LVDS

BIOS

- >Award 8Mbit FWH BIOS

Hardware Monitor

>Onboard CPU temperature monitor

Q7 expansion bus

- >using MXM connector
- >2 x PCIe by 1 (one is used by onboard Gigalan)
- >8 x USB2.0
- >1 x 24-bit LVDS
- >1 x High Definition Aduio
- >1 x Gigabit Lan
- >2 x SATA
- >1 x SDIO
- >1 x Smbus

Power Supply Voltage

>+5V standby, +5V±5%

Dimensions

>70 x 70 mm

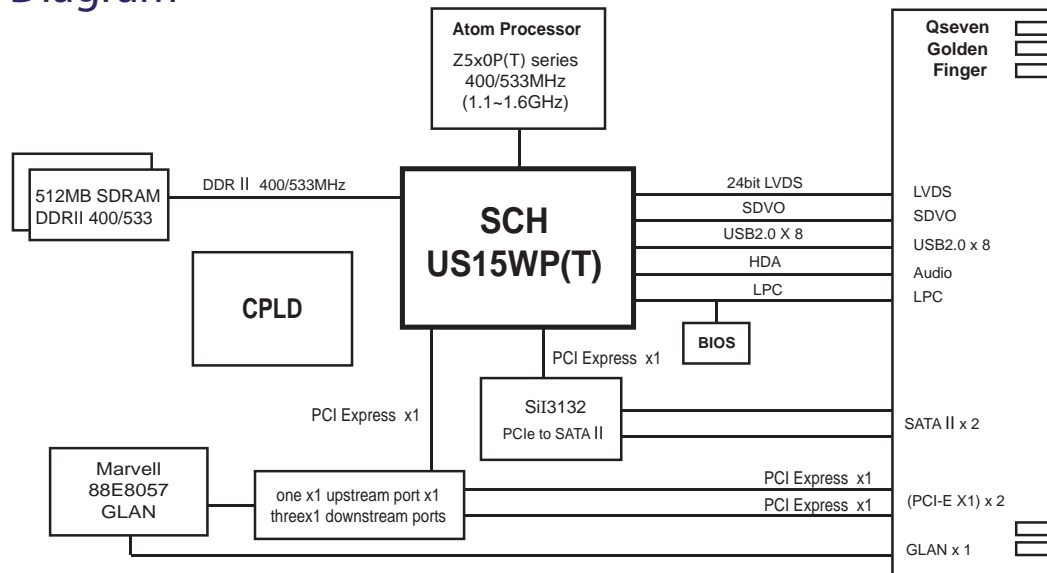
Environment

- >Operating temperature: -20°C ~ 60°C (-4°F ~ 140°F)
- >Storage temperature: -20°C ~ 85°C(-4°F~ 185°F)
- >Relative humidity: 5% to 95% (Non-condensing)

Certifications

>CE approval / FCC Class B (FCC tested with Mini-ITX Qseven Board and mechanical)

Block Diagram



Ordering Information

Part	Description
NQSV-AT5XL-1.1G5MI	Intel® Atom™ Processor Z510PT (512K Cache, 1.10 GHz, 400 MHz FSB)
NQSV-AT5XL-1.1G5M	Intel® Atom™ Processor Z510P (512K Cache, 1.10 GHz, 400 MHz FSB)
NQSV-AT5XL-1.3G5MI	Intel® Atom™ Processor Z520PT (512K Cache, 1.33 GHz, 533 MHz FSB)
NQSV-AT5XL-1.6G5M	Intel® Atom™ Processor Z530P (512K Cache, 1.60 GHz, 533 MHz FSB)